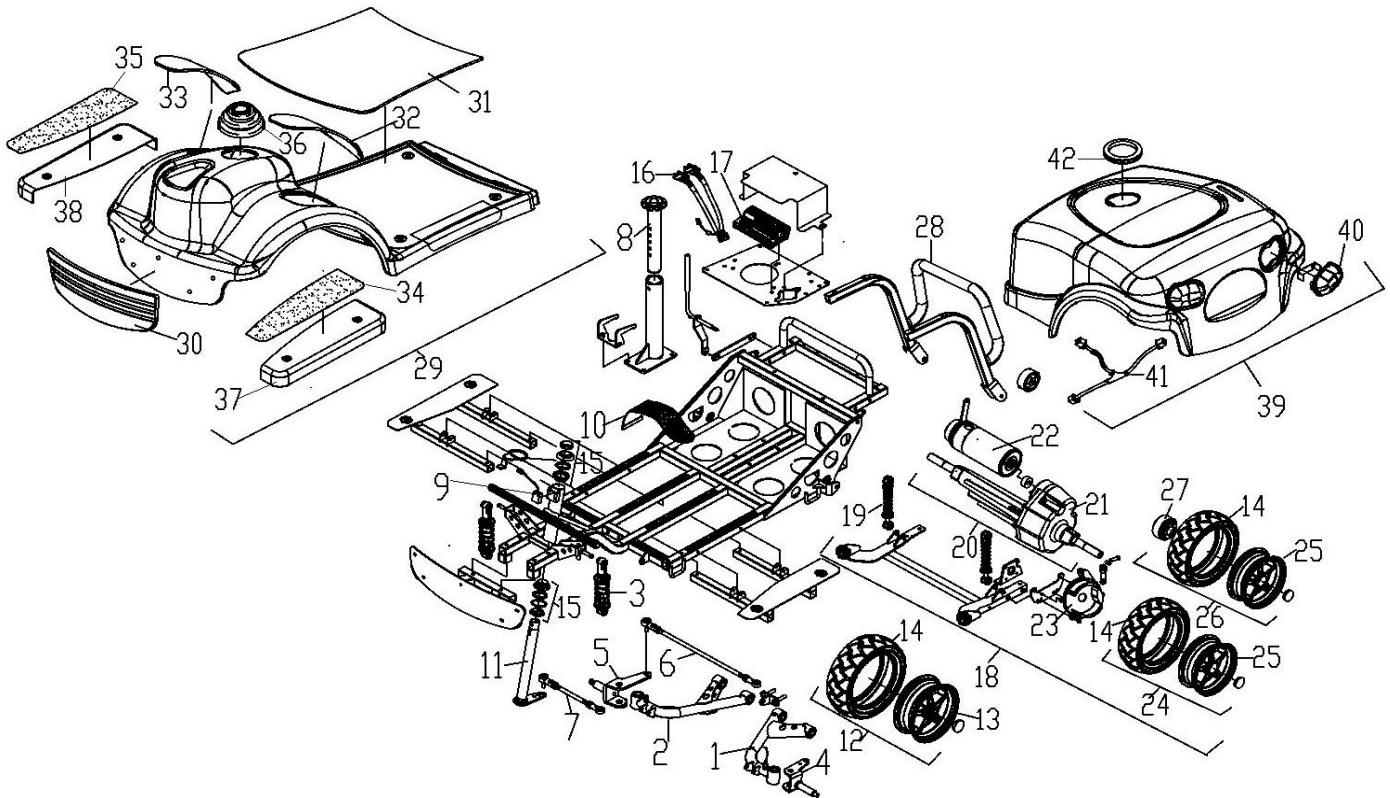
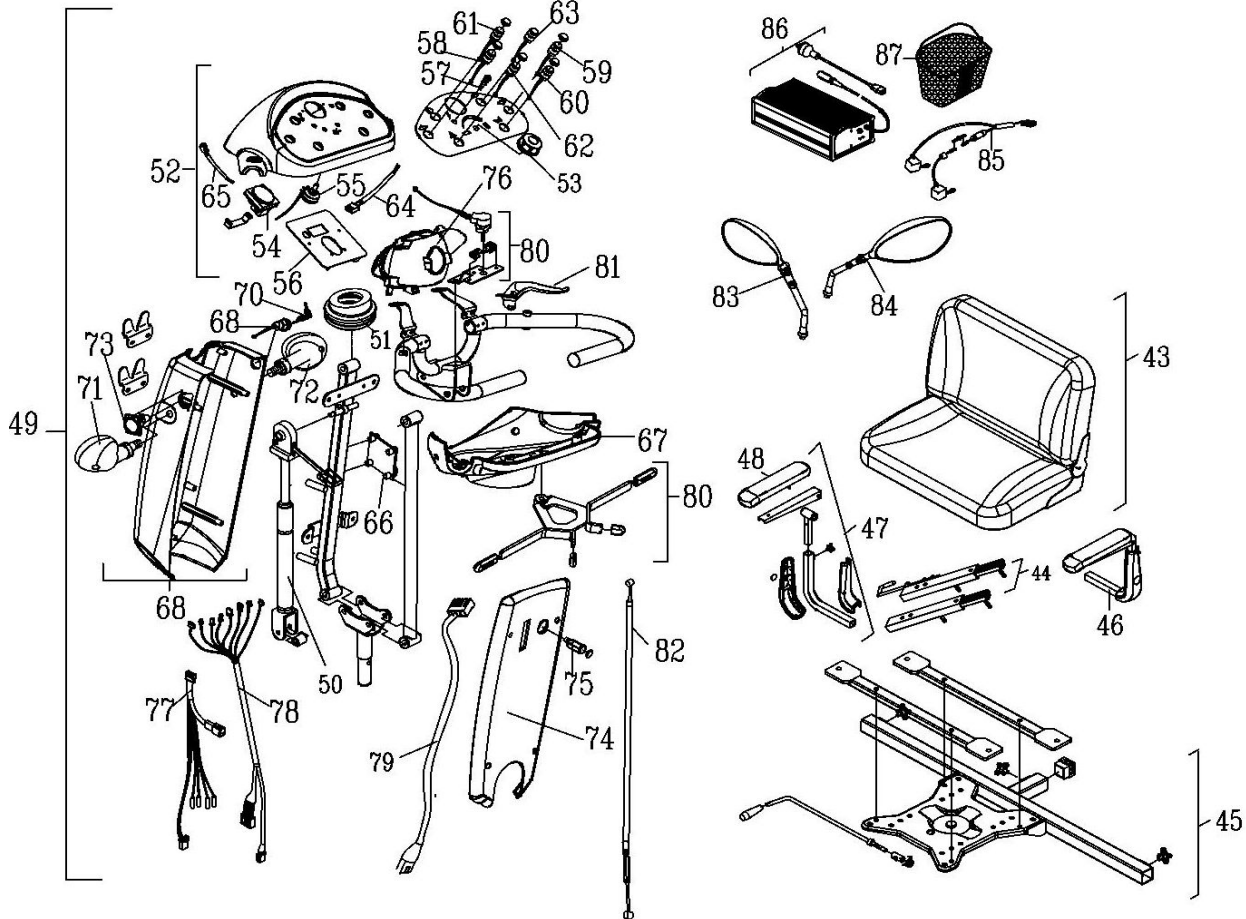


MODEL#S34485

Rev: 0



REF#	PART NO.	DESCRIPTION	REF#	PART NO.	DESCRIPTION	REF#	PART NO.	DESCRIPTION
1	30300424	FRONT SUSPENSION ASS'Y,L	17	64510008	CONTROLLER, DYNAMIC RHINO DS160 RHINO2	31	43701010	CARPET, GRAY, S347
2	30300425	FRONT SUSPENSION ASS'Y,R	18	30400293	REAR FRAME ASS'Y	32	43701008	LEFT-CARPET, GRAY, S347
3	41700113	SUSPENSION,165L,BLACK (150LBS/IN)	19	41700105	SUSPENSION BLACK/165L(550LBS/IN)	33	43701009	RIGHT-CARPET,GRAY, S347
4	30303101	FRONT WHEEL AXLE ONLY, LH	20	62001308	TRANSAXLE ASSY., M802AH-7	34	43700544	SCUFFING GUARD.,LH.
5	30303102	FRONT WHEEL AXLE ONLY, RH	21	62203003	TRANSAXLE,M802	35	43700545	SCUFFING GUARD.,RH.
6	30302009	ADJUST SHAFT, LONG, ASS'Y	22	62101302	MOTOR,M8AH-7	36	44600110	RUBBER BOOT,SEAT POST
7	30302010	ADJUST SHAFT, SHORT 10*175L	23	41700214	BRAKE (§ 100)	37	30510701	PLATFORM-LEFT, CANDY APPLE RED, S344
8	32100121	UPPER SEAT TUBE ASS'Y. (2 LAYER)	24	32600001	100/65 9" REAR WHEEL ASSY BLACK, BLACK	37	30516125	PLATFORM-LEFT, OCEAN BLUE
9	63742002	SENSOR, HALF SPEED	25	42500501	RIM, ALU., 9" REAR WHEEL	37	30519276	PLATFORM-LEFT, SILVER WHITE, S344
10	43700203	BATTERY STRAP, 50*660L	26	32600006	9" REAR WHEEL ASSY BLACK LEFT WITH BRAKE	38	30510702	PLATFORM-RIGHT, CANDY APPLE RED, S344
11	30303236	TURN TUBE COMPLETE	27	41200439	BRAKE DRUM (φ100)	38	30516126	PLATFORM-RIGHT, OCEAN BLUE
12	33100688	100/65-9" FRONT WHEEL ASSEMBLY, BLACK	28	34203129	REAR BUMPER (ED) S344	38	30519277	PLATFORM-RIGHT, SILVER WHITE, S344
13	42500500	RIM, ALU., 9" FRONT WHEEL	29	30510359	FRONT SHROUD ASS'Y, CANDY RED	39	30510442	REAR SHROUD ASSY.(WIDE), CANDY APPLE RED, S344
14	44600402	TYRE 100/65-9, BLACK, S344 WIDE VERSION	29	30516127	FRONT SHROUD ASS'Y, OCEAN BLUE	40	61200144	REAR LAMP, COMBINATION
15	53400023	BEARING ONLY, FORK 7 PCS/SET	29	30519340	FRONT SHROUD ASS'Y, SILVER WHITE	41	63444302	WIRE LINK BRAKE & INDICATOR LIGHTS,220L,S137
16	63370420	POWER HARNESS,DS160/S347	30	34200100	FRONT BUMPER (PU FOAM)	42	44600103	RUBBER BOOT, SEAT POST



REF#	PART NO.	DESCRIPTION	REF#	PART NO.	DESCRIPTION	REF#	PART NO.	DESCRIPTION
43	43701081	DELUXE DOUBLE SEAT	58	33700220	LEFT DICTATOR LIGHT SWITCH SET,150L,P9L	73	33710008	CHARGER SOCKET SET
44	41700077	SLIDE MECH. ASS'Y., WITH RELEASE LEVER	59	33700221	RIGHT DICTATOR LIGHT SWITCH SET,150L,P9R	74	30510414	REAR DASHBOARD ONLY, CANDY APPLE RED, 12V
45	32100106	SEAT BRACKET ASS'Y.	60	33700223	HORN SET,100L,P6	74	30516155	REAR DASHBOARD ONLY, OCEAN BLUE, 12V
46	31000089	ARMREST ASS'Y., LH	61	33700224	HEADLIGHT SWITCH,150L,P8	74	30519492	REAR DASHBOARD ONLY, SILVER WHITE, 12V
47	31000090	ARMREST ASS'Y., RH	62	33700225	HAZARD LIGHT SET,100L,P14	75	61138003	CABLE, PLUG.
48	43700401	ARM PAD,BLACK	63	33700255	HALF SPEED SET,S139	76	61200148	HEAD LIGHT ASS'Y.,NE1-24V/18W
49	33500146	TILLER ASS'Y., PARALLEL, CANDY APPLE RED	64	63545203	CONNECTING WIRE, SPEED POT,180L	77	63445209	WIRE,HEAD LIGHT W/ THRN LIGHT,250L
49	33516032	TILLER ASS'Y., PARALLEL, OCEAN BLUE	62	63947101	WIRE,FUEL GAGE,S139	78	63180063	MAIN CABLE WIRE FOR TILLER, S3478 SW
49	33519152	TILLER ASS'Y., PARALLEL, SILVER WHITE	66	61100069	POWER CONVERT BOARD	79	63742003	SENSOR, HALF SPEED
50	41300570	ELEVATING CYLINDER	67	30510903	LOWER DASHBOARD ONLY, CANDY APPLE RED	82	33500110	THROTTLE LEVER ASS'Y.
51	44689071	RUBBER BOOT, NBR, φ112*61.4, SW	67	30516085	LOWER DASHBOARD ONLY,OCEAN BLUE	81	42700041	LEVER BRAKE, RH
52	33510897	UPPER DASHBOARD ASS'Y., APPLE RED	67	30519266	LOWER DASHBOARD ONLY, SILVER WHITE	82	41700210	BRAKE WIRE SET.
52	33516031	UPPER DASHBOARD ASS'Y., OCEAN BLUE	68	30510904	FRONT DASHBOARD ASS'Y., CANDY APPLE RED	83	46700006	BACK MIRROR, LH
52	33519151	UPPER DASHBOARD ASS'Y., SILVER WHITE	68	30516087	FRONT DASHBOARD ASS'Y., OCEAN BLUE	84	46700008	BACK MIRROR, RH
53	61180107	KNOB,RN-99C	68	30519267	FRONT DASHBOARD ASS'Y., SILVER WHITE	85	63270402	BATTERY CONNECTOR WIRING
54	61220012	INDICATOR, BATTERY LEVEL	69	63700036	KEY SWITCH W/CONNECTING WIRE, S830	86	33700462	CHARGER,HP0240WB 24V 8A,WITH CORD
55	61020006	POTENTIOMETER., VR30K, COSMOS RV24	70	33700217	KEY SET	87	30300296	BASKET, PLASTIC
56	61108225	PCB MODULAR, DASHED BOARD, PIR113, WIRE LINK BRAKE	71	61200050	INDICATOR UNIT, LEFT (24V/5W)			
57	61200070	POWER INDICATOR, L-610	72	61200051	INDICATOR UNIT, RIGHT (24V/5W)			