

3. Load the wheelchair - The easiest way to load the wheelchair is to use the footrests to pull the wheelchair up the carrier. Refer figure 6 . Please ensure the push wheels are centrally located within the wheelchair carrier frame Once loaded push the wheelchair carrier in to the locked the horizontal position.



4. Now secure the wheelchair with the straps provided as per figure 7. Remove the legs rests and store in the vehicle.
5. To unload the wheelchair remove the straps, pull the lever as per figure 1, tilt the wheelchair to the left and roll off the carrier.
6. To store the carrier fold as shown in figure 2, remove “R” Clip , now holding the body of the carrier pull it towards yourself. It can now be stored.

Maintenance

Please ensure the securing straps are routinely checked to ensure they in good condition , replace if required. Lubricate the carrier mechanism with light oil to ensure it remains easy to operate and locks into position.

Specifications

Max Capacity - 32kg
Weight - 10.5kg

Warranty

12 months on the product - Any warranty related issues should be direct to the selling dealer

Please Note

Our goods come with a guarantee that cannot be excluded under the Australian Consumer Law. You are entitled to a replacement part for a major failure and for compensation for any other reasonable foreseeable loss or damage. You are entitled to have the goods repaired or replaced if the goods fail to be of acceptable quality and failure does not amount to a major failure.

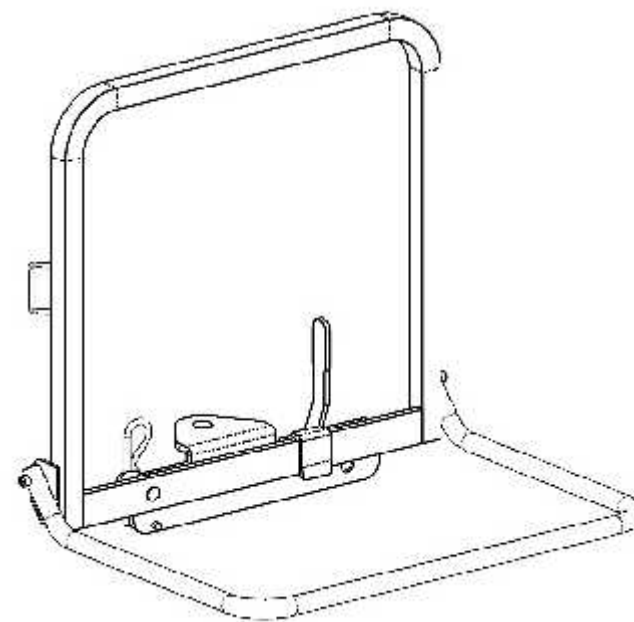
PATENT NUMBER - 2014100486

APPLIES TO THIS WHEELCHAIR CARRIER NO COPYING OR MODIFICATION IS ALLOWED

REDGUM BRAND
1 BUSINESS WAY MALAGA
WESTERN AUSTRALIA 6944
0892484180



WHEELCHAIR CARRIER



PATENT NUMBER - 2014100486
PART NUMBER - RGCWCC

REDGUM BRAND

Daily Living and Lifestyle Products

The REDGUM Brand wheelchair carrier has been designed to provide an easy way to carry all types of folding manual wheelchairs on the rear of a vehicle. The wheelchair carrier is easily fitted to the tow bar on the vehicle and once fitted the main body can be easily removed for secure storage.

REDGUM Brand has taken all due care in compiling the information noted within these pages however No liability whatsoever will be accepted whether direct or indirectly from its use due to fitting, as this is outside REDGUM Brands control. Please read all information located within these pages and observe all warnings to ensure your safety and that of others. Failure to do so may result in Injury or loss of Warranty.

If you are unsure on any steps noted below please contact your authorised selling dealer - correct fitting is essential to ensure safe operation!

Fitting Information

- Refer to your tow bar manufacturer instructions for information relating to tow ball weights. **Do not exceed**
- Remove the tow ball from the vehicle, using the part shown in figure 1 fit to the tow ball / hitch. Ensuring the tow ball is refitted at the **highest setting** as per the tow bar manufacture instructions.
- Fit the remainder of the wheelchair carrier in to place ensuring the “R” clip is used to secure the wheelchair

FIGURE 1

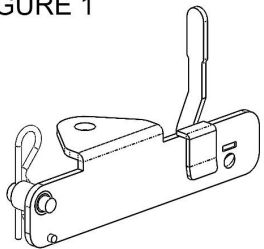


FIGURE 2

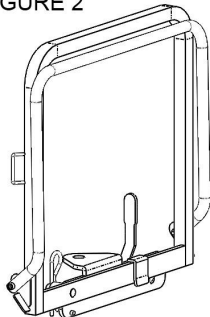
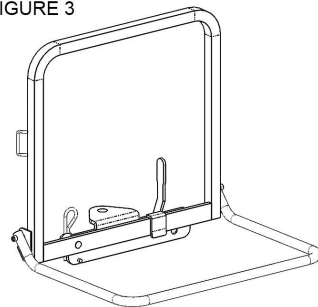


FIGURE 3



Please Note

After fitting the wheelchair carrier please be aware of the following whether the carrier is loaded or unloaded.

- Do not obscure the vehicle warning lights
- Do not obscure the vehicles license plate
- Do not extend the vehicles overhang past acceptable limits
- Be aware of the vehicles departure / approach angles

How to Use & Operate

1. Prepare the carrier as per figure 4 Ensure you are on level ground



- 2.

Pull the lever as shown in figure 1 & tip the carrier to the left as shown in figure 5. It is now ready to have the wheelchair loaded.

